

Key to DU03 oil filters

All positions must be filled in when ordering.

EXAMPLE:

DU03 - 10 - 8 - D - 0.75 - H - A - D - 0
 1 2 3 4 5 6 7 8 9

1. TYPE OF OIL FILTER

2. PUMP SIZE

Pump flow 10 l/min.*	10
Pump flow 20 l/min.	20
Pump flow 40 l/min.	40
Pump flow 60 l/min.	60
Pump flow 80 l/min.	80

* = Refers to 8-pole motor.

3. NUMBER OF POLES

4-pole	4
8-pole (only for DU03 10 l/min.)	8

4. ELECTRIC MOTOR

Three-phase 220-240/380-420 50 Hz 440/480 60 Hz	= D
Three-phase 500 50 Hz	= E
Three-phase 400/690 50 Hz 440/480 60 Hz	= F
Three-phase 525 50 Hz	= G
Motor for special voltage (stated in plain text)	= X

5. OUTPUT

0.25 kW (only for 10 l/min.)	0.25
0.75 kW	0.75
1.50 kW	1.50

6. BUILT-IN BYPASS VALVE

Built-in bypass valve 10 bar	= H
------------------------------	-----

7. FILTER UNIT FX3 (sizing, see page 4)

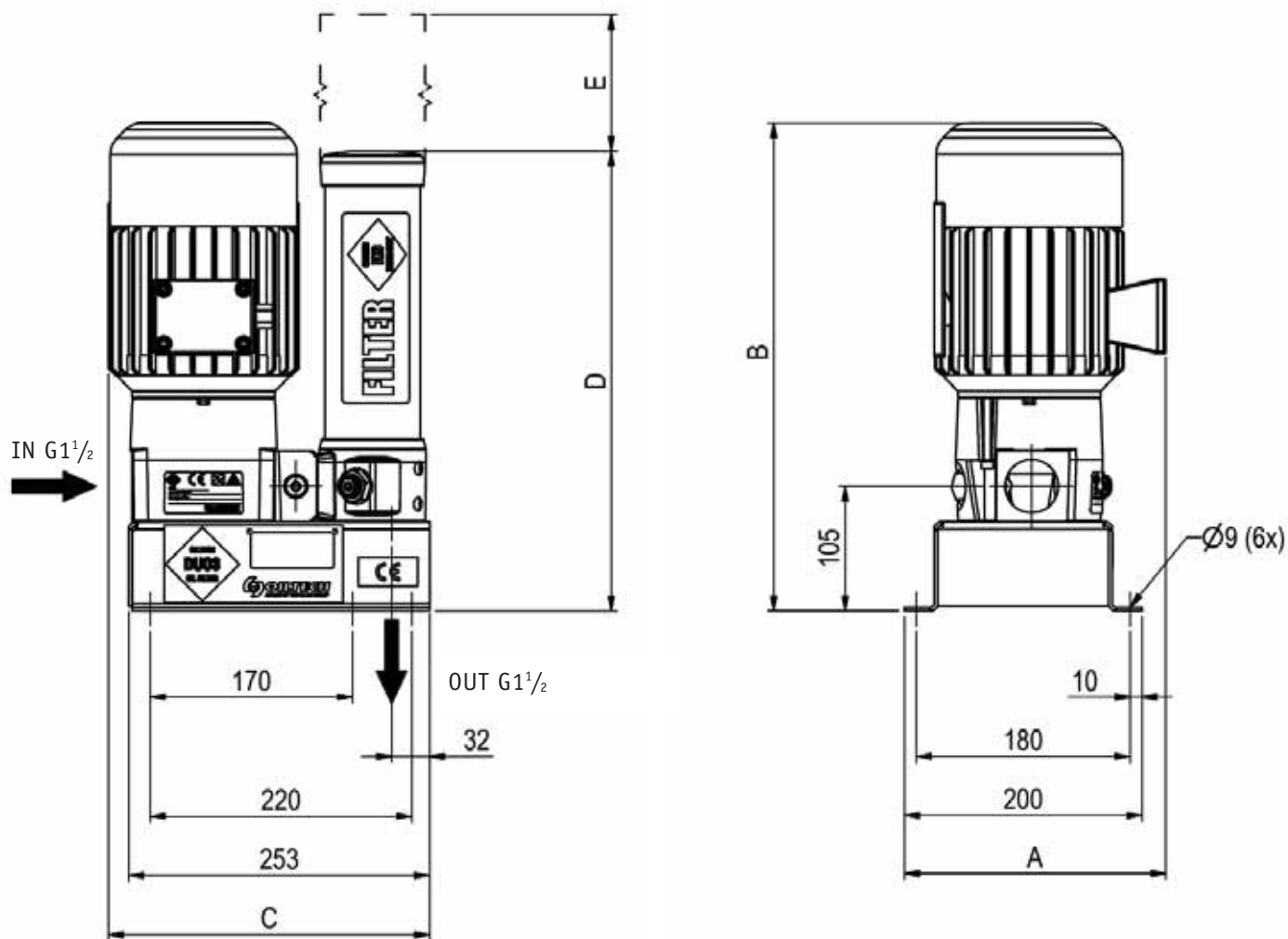
Filter unit with 4" element HP	= A
Filter unit with 4" element LP	= B
Filter unit with 8" element HP	= E
Filter unit with 8" element LP	= F

8. PRESSURE DROP INDICATOR

Visual pressure drop indicator with manual reset.	= D
Visual pressure drop indicator with thermo guard and manual reset No signal below 0°C, signal above +29°C	= P
Electric pressure drop indicator with automatic reset. Connection in accordance with DIN 43650 ISO 4400 (Hirschmann) IP 65.	= M
Electric pressure drop indicator with 2-pole AMP contact.	= U

9. STANDARD/SPECIAL

Standard	= 0
Special	= Z



TYPE

DIMENSIONS

mm

	A	B	C	D	E
DU03 10-8-D-0,25-H-A	220	411	270	288	150
DU03 10-8-D-0,25-H-E	220	411	270	387	250
DU03 20-4-D-0,75-H-A	220	411	270	288	150
DU03 20-4-D-0,75-H-E	220	411	270	387	250
DU03 40-4-D-1.50-H-A	235	486	275	288	150
DU03 40-4-D-1.50-H-E	235	486	275	387	250
DU03 60-4-D-0,75-H-A	220	410	270	288	150
DU03 60-4-D-0,75-H-E	220	410	270	387	250
DU03 60-4-D-1.50-H-A	235	486	275	288	150
DU03 60-4-D-1.50-H-E	235	486	275	387	250
DU03 80-4-D-1.50-H-A	235	486	275	288	150
DU03 80-4-D-1.50-H-E	235	486	275	387	250