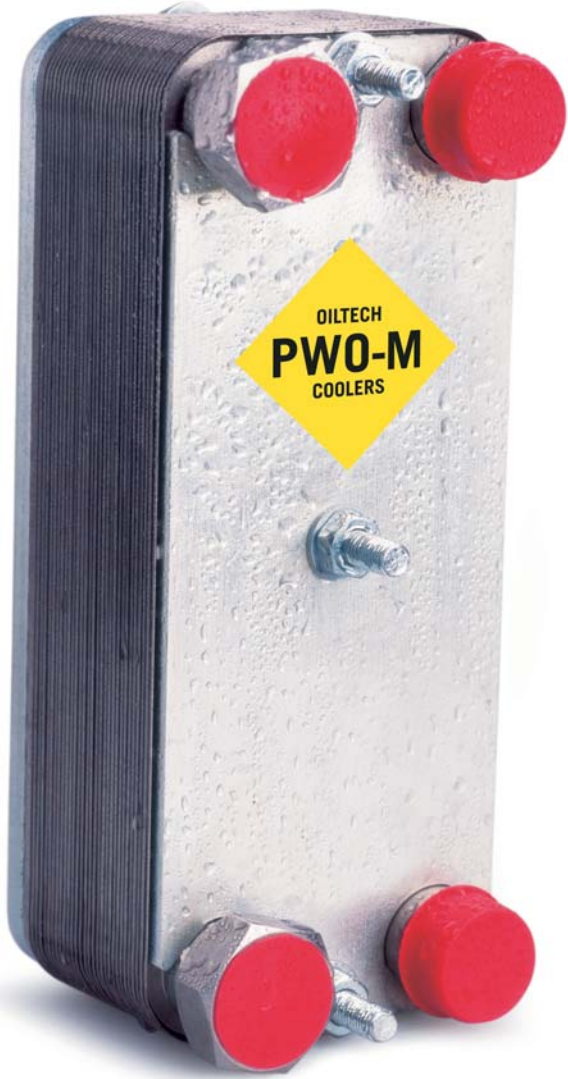


**OILTECH**  
**PWO-M**  
**COOLERS**

# WATER OIL COOLER

*Oiltech PWO-M*

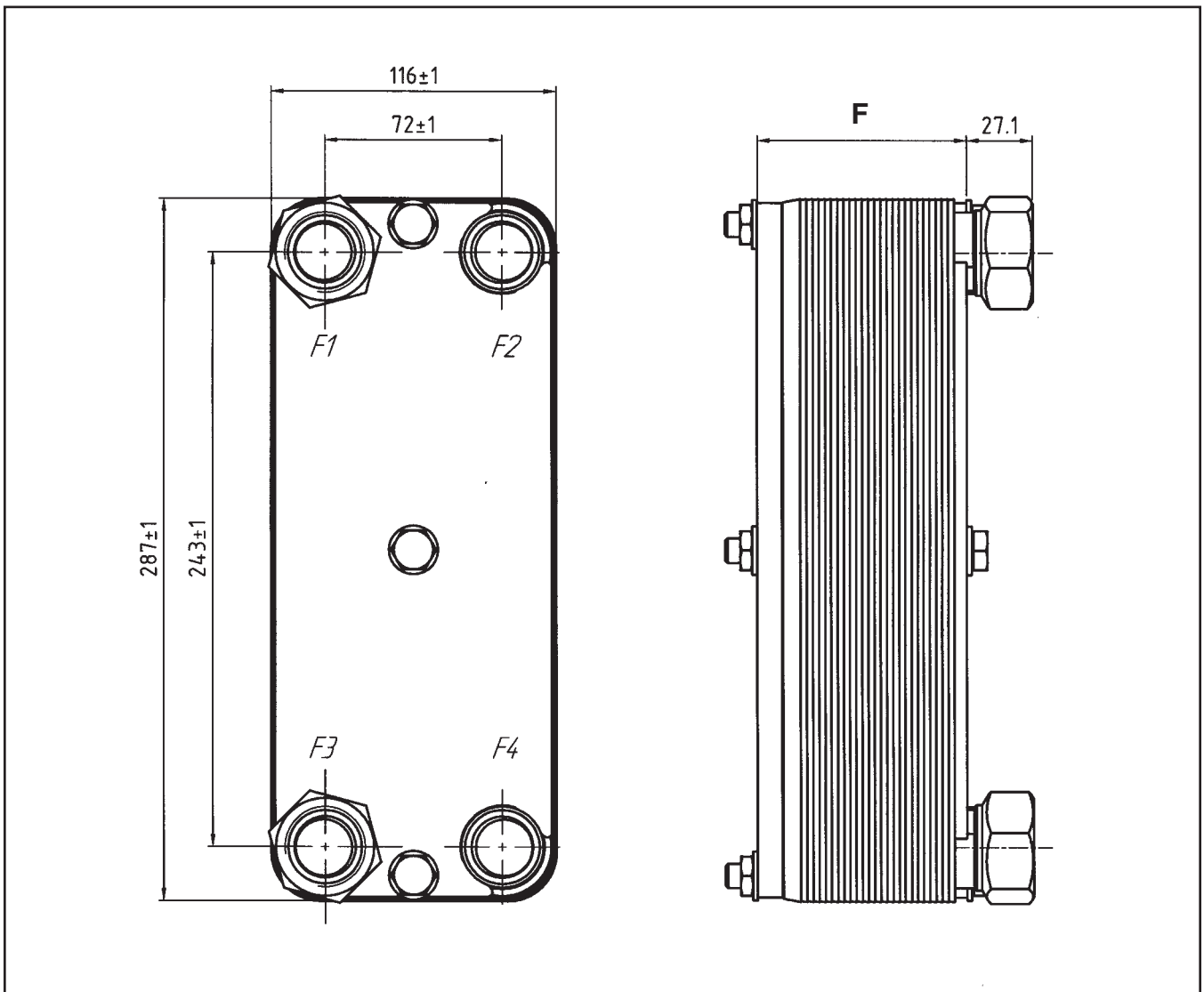


**OILTECH**

MEMBER OF THE OLAER GROUP

# OILTECH PWO-M AN ADVANCED WATER OIL

Oiltech offers a complete range of water oil coolers for cooling oils. Our standard series of PWO includes water oil coolers especially suitable for use in lubricating and hydraulic applications.



## PWO-M – AN ADVANCED WATER TO OIL COOLING TECHNOLOGY

A compact water oil cooler construction, which allows for tight space installations. The PWO-M is available in a variety of materials with regard to plates, connections, gaskets, etc, to ensure compatibility with used cooling media.

The PWO-M is the perfect solution for cooling oils wherever sea water is used as cooling medium. The PWO-M is a highly efficient, extremely compact water oil cooler, with channel plates available in sea water resistant titanium.

The PWO-M snap-in-place connections with sealing effect eliminate the need for welded or brazed joints. These snap-in-place connections can be supplied in a variety of materials.

## CALCULATE YOUR COOLING REQUIREMENT

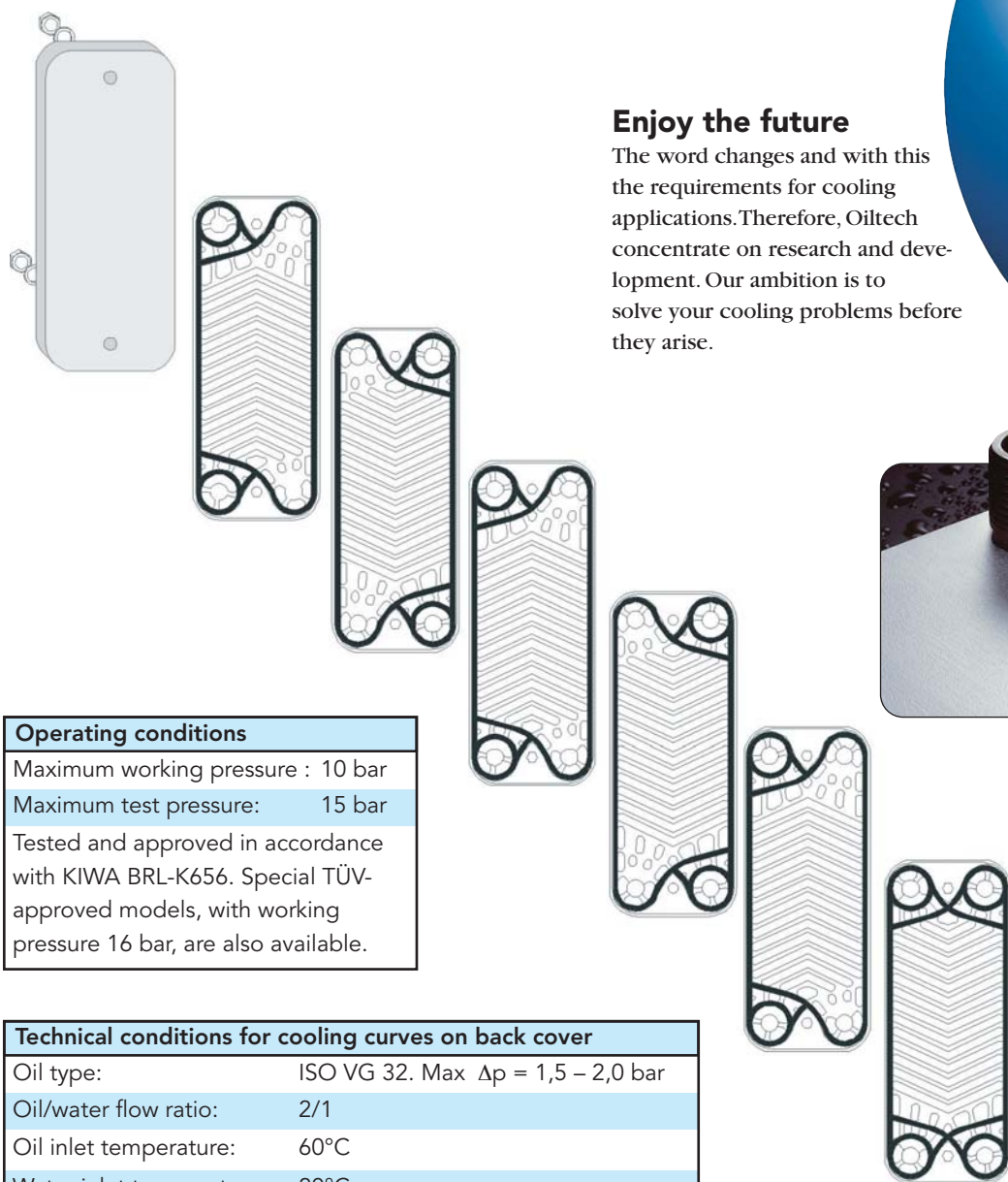
Oiltech has made a calculation programme for the PWO series of water oil coolers. By entering your basic data, you can calculate your cooling requirement and select the ideal oil cooler. Our engineers are at your disposal to support you.

# COOLING TECHNOLOGY



## Enjoy the future

The word changes and with this the requirements for cooling applications. Therefore, Oiltech concentrate on research and development. Our ambition is to solve your cooling problems before they arise.



### Operating conditions

Maximum working pressure : 10 bar

Maximum test pressure: 15 bar

Tested and approved in accordance with KIWA BRL-K656. Special TÜV-approved models, with working pressure 16 bar, are also available.

### Technical conditions for cooling curves on back cover

Oil type: ISO VG 32. Max  $\Delta p = 1,5 - 2,0$  bar

Oil/water flow ratio: 2/1

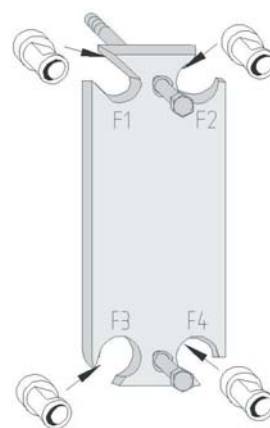
Oil inlet temperature: 60°C

Water inlet temperature: 20°C

In case of other flow conditions, type of oils or temperatures, turn to Oiltech's calculation programme or to Oiltech for support.

### Standard material

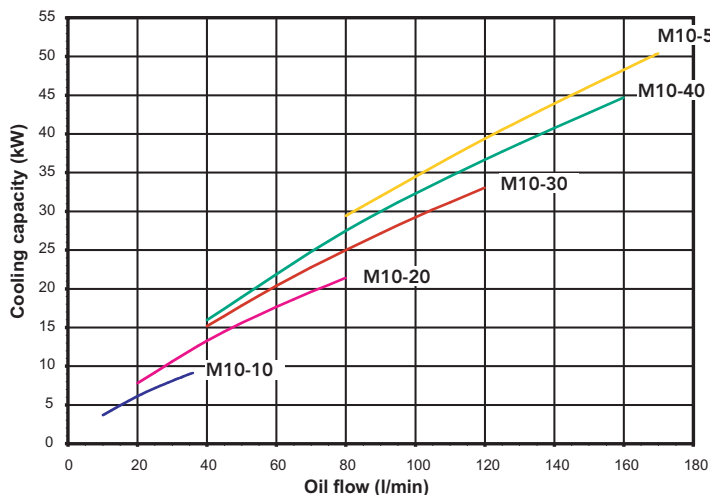
Channel plates and connections	AISI 316 Titanium
Gaskets	Nitrile NBR(p) EPDM
Frames	Anti-corrosion treated carbon steel Stainless steel
Bolts and nuts	Anti-corrosion treated carbon steel Stainless steel



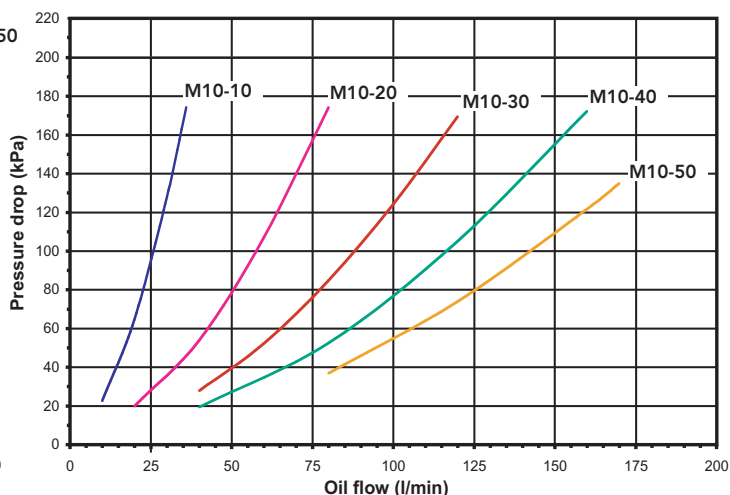
## Consult your Oiltech company for:

- model
- applications
- system construction
- sizing
- extreme operating conditions

### Cooling capacity



### Pressure drop at 30 cSt



Type	F mm	Cooling capacity kW	Female oil port F3, F1	Male water connection F2, F4	Net weight kg	Volume litre
PWO M10-10	44,8	3,5-9	ISO-G 1" INT. HEX.	ISO-G 1"A	7,1	0,40
PWO M10-20	67,7	8-22	ISO-G 1" INT. HEX.	ISO-G 1"A	8,2	0,84
PWO M10-30	90,5	15-34	ISO-G 1" INT. HEX.	ISO-G 1"A	9,3	1,28
PWO M10-40	113,3	16-45	ISO-G 1" INT. HEX.	ISO-G 1"A	10,4	1,72
PWO M10-50	136,2	20-50	ISO-G 1" INT. HEX.	ISO-G 1"A	11,5	2,16



### THE OLAER-GROUP AROUND THE WORLD

**AUSTRALIA** Olaer Fawcett Christie Hydr. Pty Ltd 13 Boola Place, Cromer N.S.W. 2099 Tel: +61 2 9981 6888 **AUSTRIA** Olaer Speicher-Technik GesmbH Haiderstrasse 38 AT-4052 Ansfelden Tel: +43 7229 80306 **BELGIUM** S.A. Olaer Benelux N.V. Doornveld 4 BE-1731 Zellik Tel: +32 2 466 15 15 **CZECH REPUBLIC** Olaer CZ s.r.o. Videnskà 125 CZ-61900 BRNO Tel: +42 5 4712 5601-6 **DENMARK** Oiltech DK Hestehøjvej 1 DK-9632 MØLDRUP Tel: +45 86 69 20 38 **FINLAND** Oiltech Hydraulics OY Veneentekijantie 2, FI-00210 Helsinki Tel: +358 9 413 755 00 **FRANCE** Olaer Industries S.A. 16, rue de Seine, B.P. 7 FR-92704 Colombes Cedex Tel: +33 1 41 19 17 00 **GERMANY** Olaer Industries GmbH Zum Gunterstal 4 DE-66440 Blieskastel Tel: +49 6842 9204-0 **GREAT BRITAIN** Fawcett Christie Hydraulics Ltd Sandycroft Industrial Estate Chester Rd, Sandycroft Deeside, Flintshire CH5 2QP North Wales Tel: +44 1244 535515 **INDIA** Fawcett Christie Hydraulics India Pvt. Ltd. C-30, Shankara Park Shankarapuram Bangalore 560 004 Karnataka Tel: +91 80 2653 3587 **ITALY** Olaer Italiana S.p.A. Strada Fantasia 83 IT-10040 Leini (TO) Tel: +39 011 991 85 11 **KOREA** Hyundai Olaer Hydraulics Co. Ltd. 3BA 204-1 Shihwa Industrial Group Jungwang Dong, Shihungsi Kyunggido 429-450 Tel: +82 31 499 0797 **NETHERLANDS** Olaer Nederland B.V. De Lind 10, P.O. Box 75, NL-4840 AB Prinsenbeek Tel: +31 76 5412453 **NORWAY** Oiltech AS Dynamitveien 23, PB 133 NO-1401 Ski Tel: +47 64 91 11 80 **POLAND** Oiltech Polska Ul. Gen. Bora-Komorowskiego 22 PL-03-982 Warszawa Tel: +48 22 6738162 **SOUTH AFRICA** Fawcett Christie Hydraulics SA Pty Ltd c/o Rolton Products CC P.O. Box 43244 ZA-Industria 2042 Roodeport Tel: +27 11 474 3095 **SPAIN** Olaer-Oiltech Iberica, S.A.U. Travesia Industrial, no 29 ES-08907 L'Hospitalet de Llobregat (Barcelona) Tel: 34 933 368 900 **SWEDEN** Oiltech AB Förrådsvägen 2 SE-181 41 Lidingö Tel: +46 8 636 07 00 **SWITZERLAND** Olaer (Schweiz) AG Bonnstrasse 3 CH-3186 Düringen Tel: +41 26 492 70 00 **USA** Oil Air Hydraulics Inc.11505 W Little York Houston, Texas 77041 Tel: +1 713 937 89 00

[www.oiltech.se](http://www.oiltech.se) • [www.olaer.com](http://www.olaer.com)

Please note: Being a renowned manufacturer of cooling systems for hydraulics, Oiltech is constantly seeking ways to improve the specification and design of its products and alterations take place continually. The products in this brochure may be updated, altered in any way or discontinued, without prior notice.