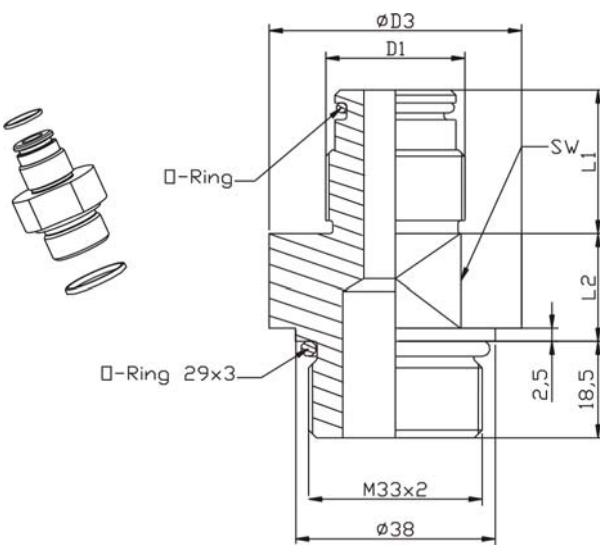


OLAER INDUSTRIES GmbH Zum Gunterstal 4 D-66440 Blieskastel
 Tel.: 06842 / 92 04-0 Fax: 06842 / 92 04-15 E-Mail: info@olaer.de Web: www.olaer.de



Speicher - Zubehör Speicheradapter zu Sicherheits- und Absperrblock DI 10-2 / DI 20-2 Standard-Baureihe
Accumulator accessories adaptor for safety- and shut-off block DI 10-2 / DI 20-2 standard range

Design 1



Betriebsüberdruck / MWP

Normalstahl / NBR = 400 bar
 carbon steel / NBR = 400 bar

Material / materials

Normalstahl / NBR
 carbon steel / NBR
 Andere Ausführungen auf Anfrage.
 Other versions on request.

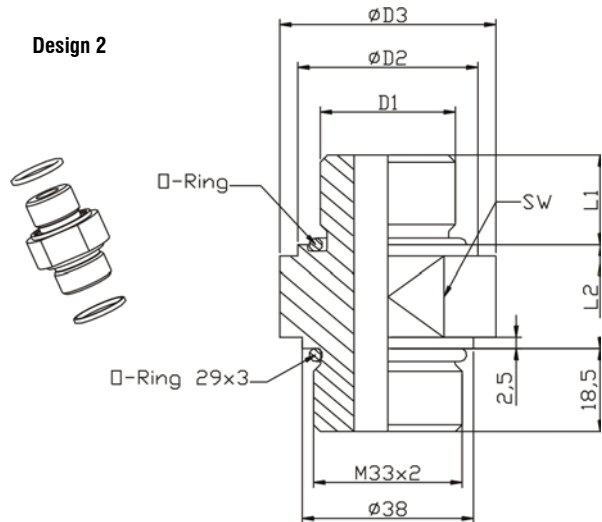
Temperaturbereich / temperature range

Normalstahl / NBR = -20 °C bis +80 °C
 carbon steel / NBR = -20 °C to +80 °C
 Andere Ausführungen auf Anfrage.
 Other versions on request.

Die Dokumentation doc.5-100 ist zu beachten!

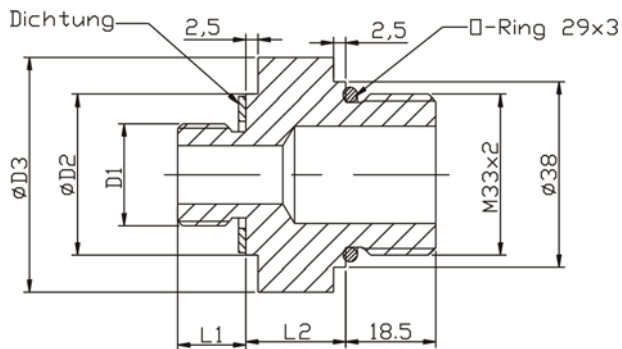
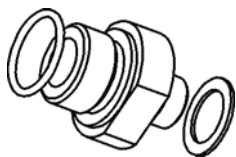
Please note doc.5-100.

Design 2

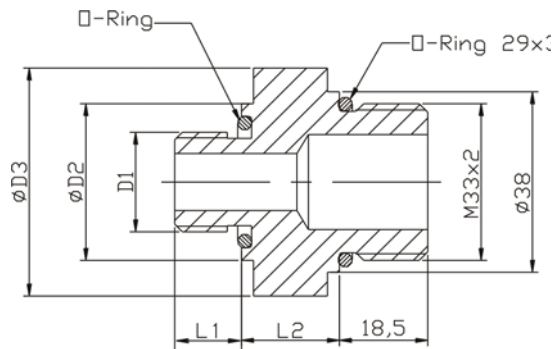
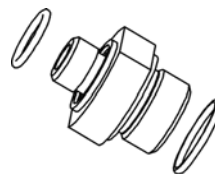


| Adapter für Blasespeicher adaptors for bladder accumulators | | | | | | | | | |
|--|------------------------|--------|----------|----|---------|---------|-----------------------|-----------------------|--------|
| Adapter adaptor | Speicher-Typ accu type | Design | D1 | SW | L1 (mm) | L2 (mm) | $\varnothing D2$ (mm) | $\varnothing D3$ (mm) | O-Ring |
| AS 10 | EHV 0.5-1.6 L | 1 | G 3/4" | 41 | 27.5 | 20.5 | | 48 | 17x3 |
| AS 11 | EHV 1-5 high pressure | | G 1" | 46 | 32 | 19 | | 53 | 22x3 |
| AS 12 | EHV 2.5-10 L (lg) | | G 1 1/4" | 50 | 37 | 19 | | 55 | 30x3 |
| AS 13 | EHV 10-50 L | | G 2" | 65 | 44 | 14 | | 75 | 48x3 |
| AS 20 | | 2 | M30x1.5 | 41 | 20 | 23 | 40 | 48 | 32x2 |
| AS 21 | | | M40x1.5 | 55 | 20 | 23 | 54 | 65 | 43x3 |
| AS 22 | | | M50x1.5 | 65 | 20 | 23 | 64 | 75 | 53x3 |

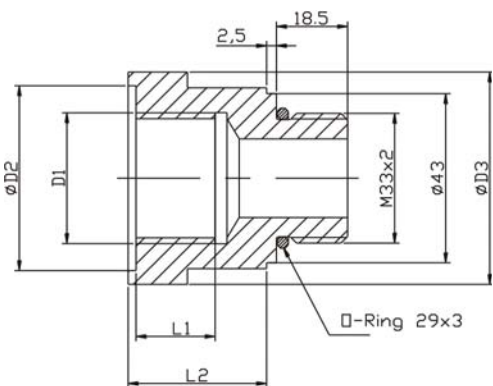
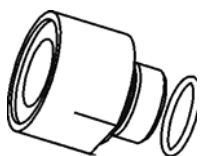
DI 10-2 und DI 20-2



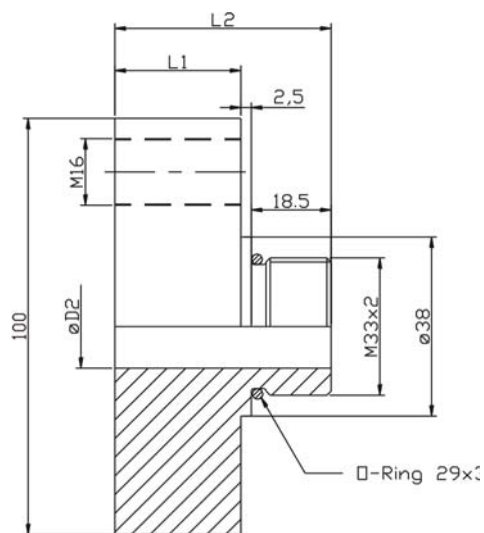
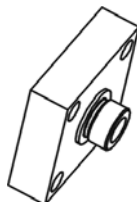
Design 3



Design 4



Design 5



Design 6

| Adapter für Membranspeicher adaptor for diaphragm accu | | | | | | | | | | | |
|---|------------------------|--------|--------|----|---------|---------|----------|----------|--------|----------------------|--|
| Adapter adaptor | Speicher-Typ accu type | Design | D1 | SW | L1 (mm) | L2 (mm) | ØD2 (mm) | ØD3 (mm) | O-Ring | Flachdichtung gasket | |
| AS 30 | ELM * | 3 | G 1/2" | 41 | 14 | 20 | 33 | 48 | | usit 28,7x21,5x2,5 | |
| AS 31 | ELM | 3 | G 3/4" | 41 | 16 | 20 | 40 | 48 | | 32x27x1,5 | |
| AS 32 | ELM | 4 | G 1/2" | 41 | 14 | 20 | 33 | 48 | 22x3 | | |

*OLM / ELM 0,075-250; OLM / ELM 0,16-250; OLM / ELM 0,32-210

| Sonderanschlüsse special connectors | | | | | | | | | | |
|--|------------------------|--------|-------|----|---------|---------|----------|----------|--------|--|
| Adapter adaptor | Speicher-Typ accu type | Design | D1 | SW | L1 (mm) | L2 (mm) | ØD2 (mm) | ØD3 (mm) | O-Ring | |
| AS 40 | | 5 | G 1" | 46 | 21 | 37,5 | 47 | 54 | 29x3 | |
| AS 41 | | 5 | G1/2" | 36 | 16 | 21 | 34 | 40 | 29x3 | |
| AS 42 | | *6 | | | 30 | 51 | 20 | | 29x3 | |